



**County
Administrator**

Robert W. Wilson
701-241-5770
wilsonro@casscountynd.gov

M E M O

TO: Cass County Board of Commissioners
FROM: Robert W. Wilson
DATE: February 18, 2022
SUBJECT: Court Facilities Improvement Grant- Overhead Door
Project Purchase Order

Cass County was approved for Court Facility Grant funds for up to \$34,127.85 to complete a project to replace four overhead counter doors and automatic windows in the Clerk of Court Administration Office. The total project cost is \$39,425 the grant covers 75% of the cost, or \$29,056.75 and the County is responsible for the remaining 25%, or \$9,856.25. The request today is to accept the grant funding and authorize the purchase of \$39,425.00 with Overhead Door Company of Fargo with 75% to be reimbursed by the State.

SUGGESTED MOTION:

Accept the Court Facility Improvement Grant funds and authorize the Chair to sign the purchase order with Overhead Door Company of Fargo in the amount of \$39,425 with 75% of the total cost to be reimbursed by the Court Facility Improvement Grant.

PO Box 2806
211 Ninth Street South
Fargo, North Dakota 58108

www.casscountynd.gov

Court Facilities Improvement Advisory Committee

600 E Boulevard Ave
Bismarck, ND 58505-0530
Phone: (701) 328-2689
Fax: (701) 328-2092

Sally Holewa, Chair

January 14, 2022

Mr. Chad Peterson, Chairman
Cass County Commission
149 S Woodcrest Dr
Fargo, ND 58102-2144

Re: Court Facilities Improvement Grant Award - Notification

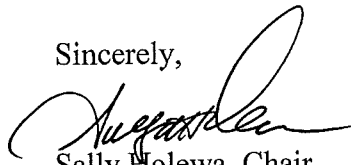
Dear Commissioner Peterson,

The Court Facilities Improvement Advisory Committee recently reviewed applications for court facilities improvement grants submitted by Cass County Application #2.

I am pleased to inform you that the Committee approved a grant to the county in the amount of \$34,127.85, which reflects the 25% contribution by the county. This grant award is for the project presented in the county's application and briefly described as overhead counter doors and four new automatic windows in the clerk of court administration office.

Grant dollars, up to the amount awarded, will be disbursed to the county at the time the project is completed and upon receipt by the Committee of the attached reimbursement request form, accompanied by copies of all relevant receipts for project expenses. As a condition of the grant award, the county must provide an initial progress report within 60 days of receipt of this notification and monthly reports thereafter concerning the status of the project and the estimated completion date. The project must be commenced, absent good cause, within 120 days of this award notification.

Sincerely,



Sally Holewa, Chair

Court Facilities Improvement Advisory Committee

SH/lmz

cc: County Auditor ✓

The Genuine. The Original.



100
YEARS

— Since 1921 —

701-235-3678

Job:

Cass County Courthouse

211 9th Street S
Fargo, ND

Prepared For:

Gene Gartner

Cass County Courthouse
Fargo, ND 58103

By:

Overhead Door Company of Fargo

Fargo, ND

Contact:

Dean Storstad

Phone: +1701-235-3678

Email: dean@overheadfargo.com

This proposal is valid until

Overhead Door Company of Fargo
PO Box 9396
Fargo, ND 58106-9396



2/16/2022 12:24 PM

Gene Gartner
Maintenance
Cass County Courthouse
211 9th Street S
Fargo, ND 58103

Subject: Proposal for Cass County Courthouse

Dear Gene Gartner,

Attached is the revised quote. Please sign and attach P.O. # and return to me.

Best Regards,

Dean Storstad

Dean Storstad | Phone: +1701-235-3678

Reference: SQEE001154-1 was modified Wednesday, February 16, 2022 and is valid till .



Overhead Door Company of Fargo

PO Box 9396
Fargo, ND 58106-9396

Contact: Dean Storstad
Phone: +1701-235-3678
Email: dean@overheadfargo.com

This proposal is valid till

Quote: SQEE001154-1 | Created: 12/21/2021 11:46 AM

Job:

Cass County Courthouse
211 9th Street S
Fargo, ND 58103

Prepared For:

Gene Gartner
Maintenance
Cass County Courthouse
211 9th Street S
Fargo, ND 58103

Item	Qty
1 640.RD 8'0" x 3'6" Opening Mounting: Right: Steel, Face Mount; Left: Steel, Face Mount; Lintel - Steel, Header - Steel Curtain: Windload - None, 3 Hour UL/ULC, F158, Steel, Primed, Tan, 22 gauge, Interior Mtd Above Lintel, Alternate Endlock Operation: Crank w/Governor, Front Of Hood, Left Hand Tension Release: Tension Release Bottom Bar: Single Angle -Shutter, Steel, Powder Coat-Tan, Astragal, Slide Lock, Both Jambs, Coil Side Wall Thickness: 12" Wall Guide: Steel, Powder Coat-Tan, Double Flared Entry Hood: Square, Steel, Tan, Primed, Omit Hood Label, Drive and Tension (Non-Drive) Bracket: Steel, Powder Coat-Tan Misc: Unitized Last Changed: 2/11/2022 11:28 AM CST	2
2 640.RD 5'6" x 3'6" Opening Mounting: Right: Steel, Face Mount; Left: Steel, Face Mount; Lintel - Steel, Header - Steel Curtain: Windload - None, 3 Hour UL/ULC, F158, Steel, Primed, Tan, 22 gauge, Interior Mtd Above Lintel, Alternate Endlock Operation: Crank w/Governor, Front Of Hood, Left Hand Tension Release: Tension Release Bottom Bar: Single Angle -Shutter, Steel, Powder Coat-Tan, Astragal, Slide Lock, Both Jambs, Coil Side Wall Thickness: 12" Wall Guide: Steel, Powder Coat-Tan, Double Flared Entry Hood: Square, Steel, Tan, Primed, Omit Hood Label, Drive and Tension (Non-Drive) Bracket: Steel, Powder Coat-Tan Misc: Unitized Last Changed: 2/11/2022 11:28 AM CST	1



Overhead Door Company of Fargo

PO Box 9396
Fargo, ND 58106-9396

Contact: Dean Storstad
Phone: +1701-235-3678
Email: dean@overheadfargo.com

3	640.RD 12'0" x 3'6.5" Opening	1
<p>Mounting: Right: Steel, Face Mount; Left: Steel, Face Mount; Lintel - Steel, Header - Steel</p> <p>Curtain: Windload - None, 3 Hour UL/ULC, F158, Steel, Primed, Tan, 22 gauge, Interior Mtd Above Lintel, Alternate Endlock</p> <p>Operation: Crank w/Governor, Front Of Hood, Left Hand</p> <p>Tension Release: Tension Release</p> <p>Bottom Bar: Single Angle -Shutter, Steel, Powder Coat-Tan, Astragal, Slide Lock, Both Jambs, Coil Side</p> <p>Wall Thickness: 12" Wall</p> <p>Guide: Steel, Powder Coat-Tan, Double Flared Entry</p> <p>Hood: Square, Steel, Tan, Primed, Omit Hood Label, Drive and Tension (Non-Drive)</p> <p>Bracket: Steel, Powder Coat-Tan</p> <p>Misc: Unitized</p> <p>Last Changed: 2/16/2022 12:13 PM CST</p>		

Total (USD): \$39,425.00

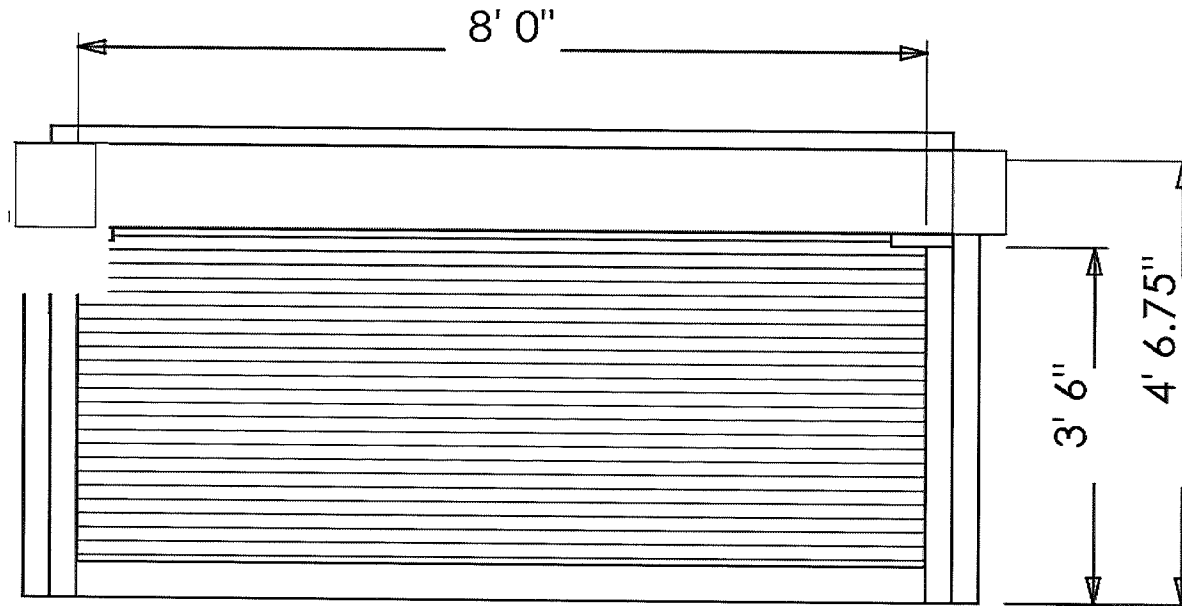
Terms and Conditions

Lighting would need to be removed by others. Also any ceiling that needs to be removed for install or modified after install by others.
Pricing subject to change without notice.

Payment Details
Payment Terms:

Acceptance:	
Terms, price, and specifications on all pages of this proposal are hereby accepted.	
Authorized By (Buyer): _____	Date: _____
Print Name (Buyer): _____	
Purchase Order: _____	Tax Exempt: Yes <input type="checkbox"/> No <input type="checkbox"/>

Viewed From Coil Side



Job: Cass County Courthouse

Line: 1

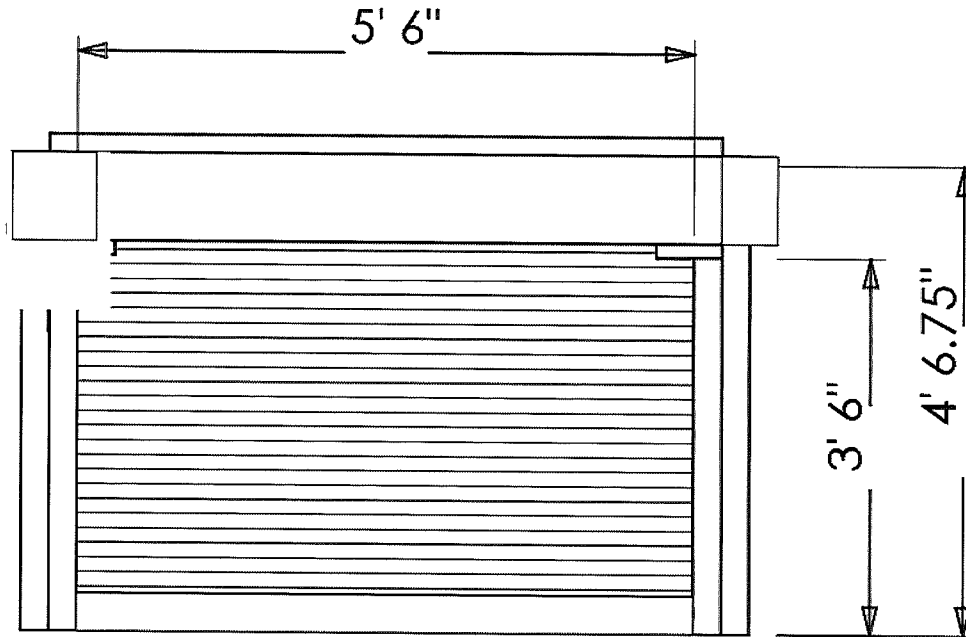
Item: 640.RD

Description: 8'0" x 3'6" Opening

Quote: SQEE001154-1



Viewed From Coil Side



Job: Cass County Courthouse

Line: 2

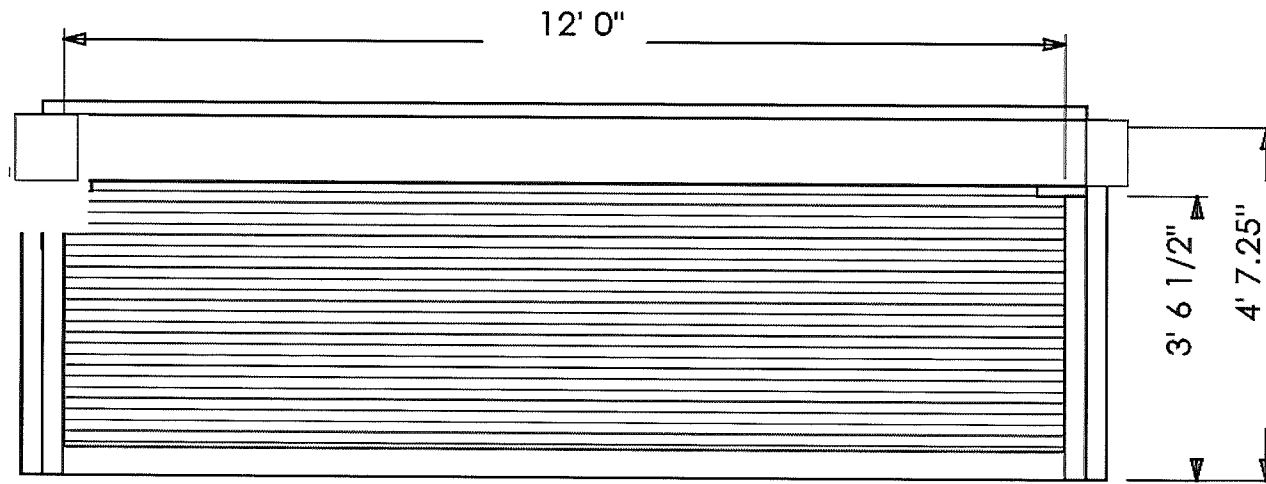
Item: 640.RD

Description: 5'6" x 3'6" Opening

Quote: SQEE001154-1



Viewed From Coil Side



Job: Cass County Courthouse	Line: 3
Item: 640.RD	Description: 12'0" x 3'6.5" Opening
Quote: SQEE001154-1	



PURCHASE ORDER

PAGE: 1
150110
PO. NO.:
DATE 02/17/22

N.D. Sales Tax Exempt No. E-3009

OVERHEAD DOOR CO.
3125 FIECHTNER DR S
PO BOX 9396
FARGO, ND 58106-9396

SHIP TO: CASS COUNTY GOVERNMENT
COUNTY COORDINATOR
211 9TH ST S
FARGO, ND 58103

VENDOR NO.		1517		SHIP VIA		F.O.B.		TERMS	
DELIVER BY		02/17/22						NET	
CONFIRM BY			CONFIRM TO			REQUISITIONED BY			
			HEINLE, SARAH J			GENE GARTNER			
FREIGHT		CONTRACT NO.		ACCOUNT NO.		PROJECT		REQ. NO.	
				101-1503-411.47-01				SQEE001154	
								02/17/22	
LINE NO.	QUANTITY	UOM	ITEM NO. AND DESCRIPTION				UNIT COST	EXTENDED COST	
1	1.00	EA	OVERHEAD DOORS				39425.0000	39425.00	
SUB-TOTAL								39425.00	



39425.00

AUTHORIZED BY _____ COUNTY OFFICIAL